

OEM Laser Driver Series

dso11-o100-series

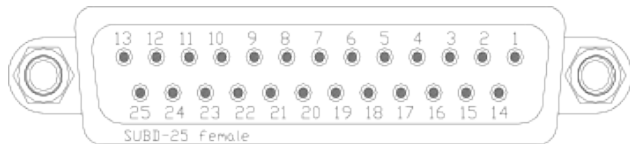
- the dso11-series devices are ds-series compatible
- devices can handle lasers up to 50W optical output
- laser current and temperature stabilisation are integrated
- external or internal analog or digital modulation is possible
- pulse generator is integrated, bias current option
- isolated industrial interface is integrated
- optional medical version
- supply voltage 110..230VAC
- trise tfall 10-90% < 25µs (faster on request)

Laser max.: 75A, 48V up to 300W
 1st TEC max.: 7A, 28V up to 300W
 2nd TEC: optional



© OsTech

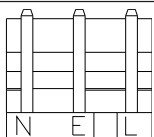
Isolated Industrial - Support Connector



Sub-D25, female
 isolated industrial interface - isolated RS485 & USB optional

PIN.No	Abbr.	Function
1	XO_ILOCK	Interlock Output max. 12V 100mA
2	XO_LON	Laser On - TTL- Output High = Laser On (pull-up resistor at 5V with 270R for LED f.e.)
3	XO_SYSOK	System Ok - TTL-Output High = Laser, Temp. & System OK (pull-up resistor at 5V with 270R)
5	X5VREF	External Reference 5V +-1% max. 20mA - as potentiometer supply f.e.
6	XSUP-12	External Supply -12V max. 250mA
7	XSUP+12	External Supply +12V max. 250mA
8	XSUP5V	External Supply 5V max. 250mA
9	XI_MODE0	TTL-Input - multipurpose mode select input
10	XI_MODE1	TTL-Input - multipurpose mode select input
11	XI_LaserOff	TTL-Input - Laser ON - TTL-Low = Laser On - internally pulled up
12	optional SUP_FAN	Universal Supply - 2V..22V up to 800mA for external Fan etc. (! not isolated)
13	optional SUP_GND	Universal Supply GND (! not isolated)
14	XI_ILOCK	Interlock Input - has to closed to XO_ILOCK
15	MOD_DMOD	Modulation Digital Input TTL
16	MOD_GND	Modulation GND
17	MOD_ANALOG	Modulation Analog Input 0-4V → 0A-I _{max} (R _i =10kOhm for 0-10V signal put 15kOhm in series)
18	XTX	RS232-Tx
19	XRX	RS232-Rx
20,21	XGND	Xternal GND
4,22,23,24,25	n.c.	Reserved pins. do not connect!

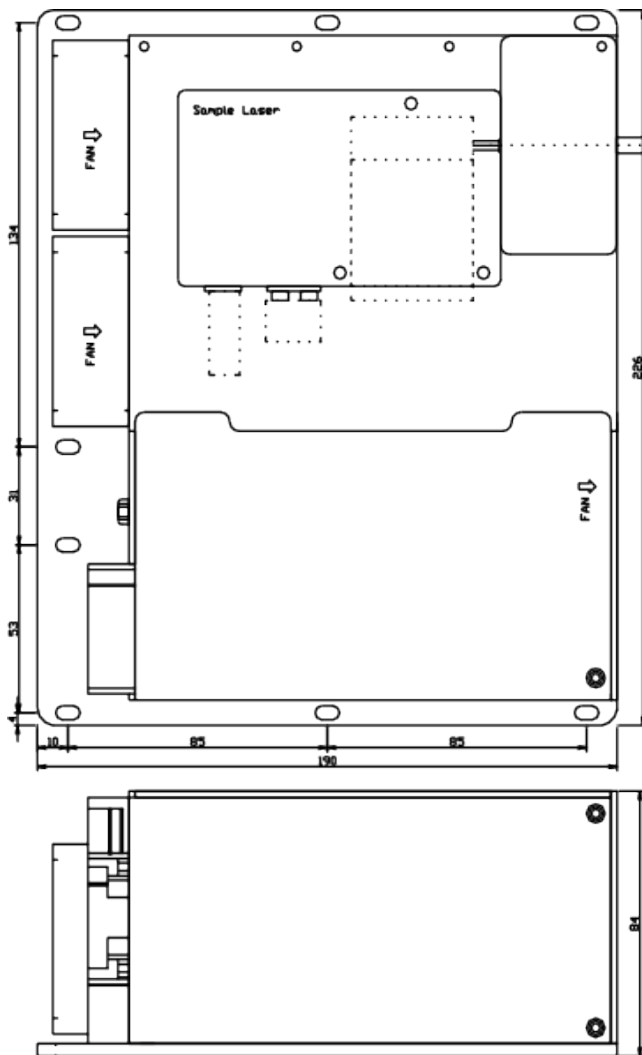
Mains Connector



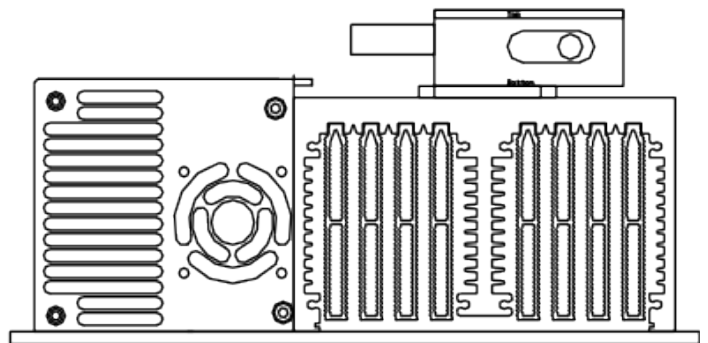
MAINS INPUT: 3 Pin, 5.08mm, with Friction Lock, 18-24 AWG
 MOLEX HousingNo:10013036 TerminalNo:8701031



OEM Laser Driver Series

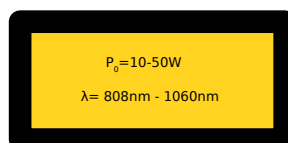
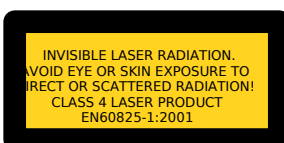


OsTech dso11-o100-series
OEM Laser Driver and Cooler
for Lasers up to 50W



Configuration Examples		
Type	Device Name	Laser Assembled
378	dso11-la40v05-pa07v28-oc100-JenLas-D2-mini-378	JenLas ® D2.mini 2,3,5,8W-532nm free or fiber
524	dso11-la60v03-pa07v28-oc103-JOLD-30-FCM-378-524	JOLD-30-FCM 30W-808, 976nm medical, pilot, fiber-sens.
527	dso11-la50v03-pa07v28-oc102-JOLD-30-FC-527	JOLD-30-FC 30W-200,400µ fibre-808, 880, 915, 938, 976nm
526	dso11-la50v03-pa07v28-oc102-JOLD-45-CPXF-526	JOLD-45-FC 45W-400,600µ fibre-808, 880, 915, 938, 976nm
525	dso11-la40v05-pa07v28-oc100-DILAS-MF-525	for DILAS MF fiber coupled up to 50W -(105),200,400µ fibre-808, 880, 915, 938, 976nm and more
or send us your laser!		

Laser safety



All product information is believed to be accurate and is subject to change without notice.
Some specific combinations of options may not be available.